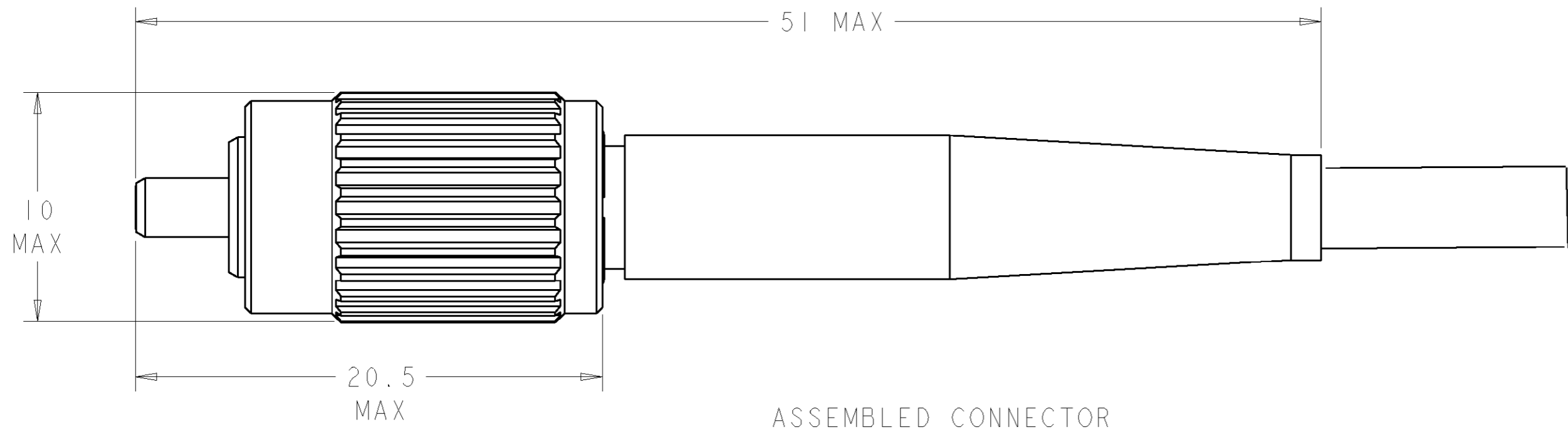


THIS DRAWING IS UNPUBLISHED. RELEASED FOR PUBLICATION 20
 © COPYRIGHT 20 BY TYCO ELECTRONICS CORPORATION. ALL RIGHTS RESERVED.

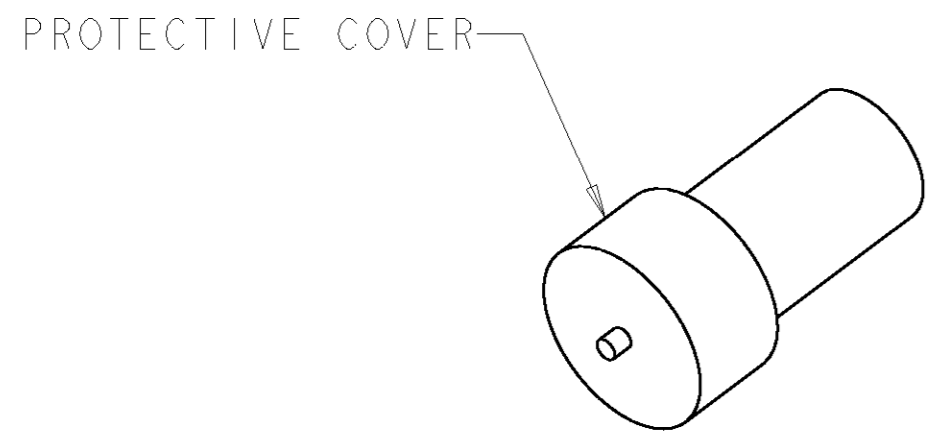
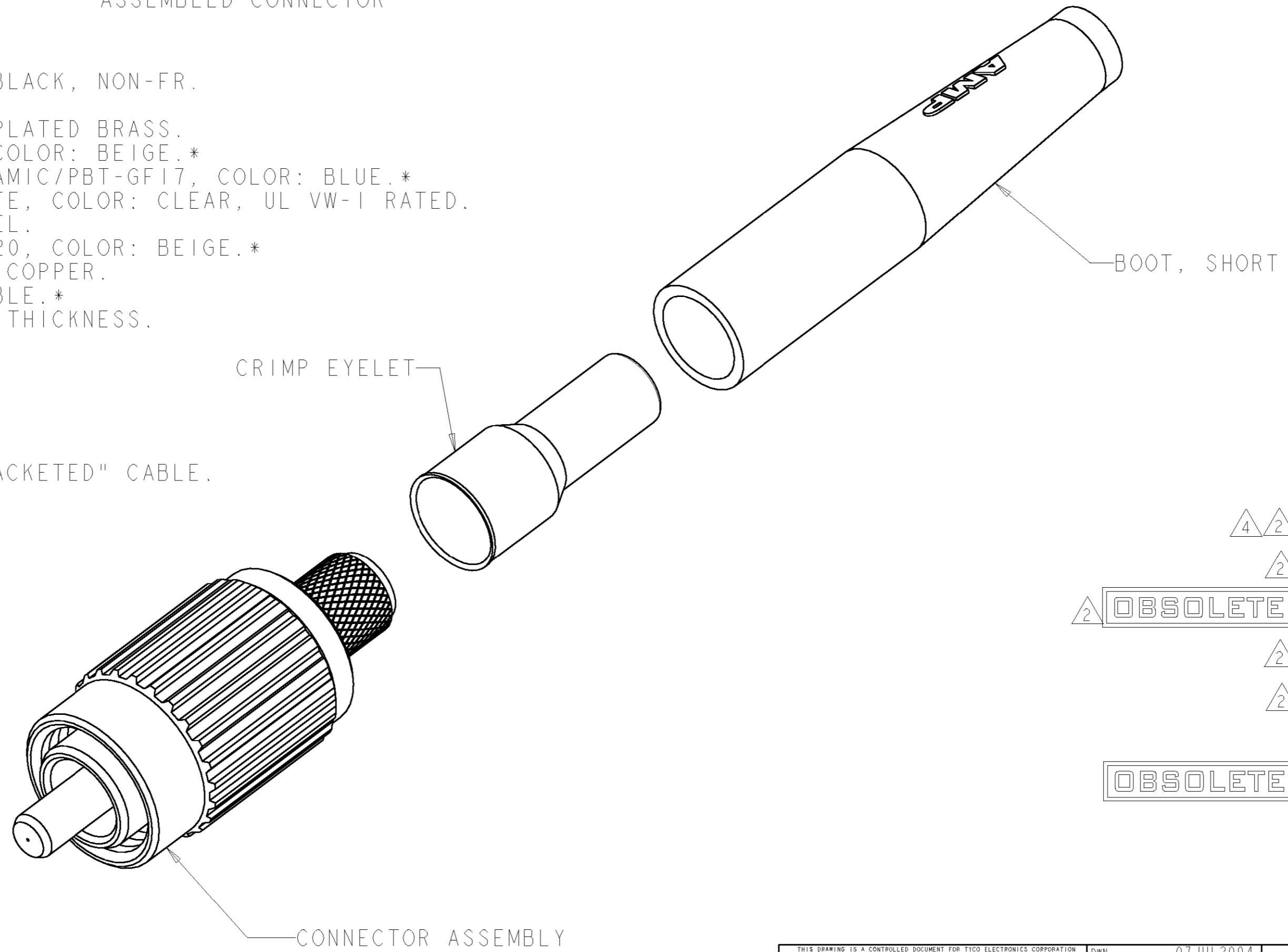
LOC	DIST	REVISIONS					
CE	00	P	LTR	DESCRIPTION	DATE	DWN	APVD
		G		REVISE PER 0A00-0323-04	07JUL2004	BB	SB
		H		REVISE PER 0A00-0587-04	03NOV2004	BB	SM
		J		REVISE PER 0A00-0582-04	17NOV2004	BB	SM



ASSEMBLED CONNECTOR

- 1 MATERIAL:
 PROTECTIVE COVER: LDPE, BLACK, NON-FR.
 CONNECTOR SUB-ASSEMBLY:
 COUPLING NUT: NICKEL PLATED BRASS.
 PLUG BODY: PPS-GF40, COLOR: BEIGE.*
 FERRULE ASSEMBLY: CERAMIC/PBT-GF17, COLOR: BLUE.*
 EPOXY-FILL TUBING: PTFE, COLOR: CLEAR, UL VW-1 RATED.
 SPRING: STAINLESS STEEL.
 RETAINER BODY: PES-GF20, COLOR: BEIGE.*
 CRIMP EYELET: TIN PLATED COPPER.
 BOOT: TPE, COLOR: SEE TABLE.*
 *UL94 V-0 RATED AT QUALIFYING THICKNESS.

- 2 BULK PACKAGE.
 3. TO BE USED WITH 3.0mm "LOOSE JACKETED" CABLE.
 4 CONTAINS NO EYELET OR BOOT.



4 2	-	504649-9
2	BLUE	504649-8
2	OBSOLETE BLUE	504649-7
2	YELLOW	504649-6
2	YELLOW	504649-5
	YELLOW	504649-4
	OBSOLETE YELLOW	504649-3
	BLUE	504649-2
	BLUE	504649-1
	BOOT COLOR	PART NUMBER

THIS DRAWING IS A CONTROLLED DOCUMENT FOR TYCO ELECTRONICS CORPORATION. IT IS SUBJECT TO CHANGE AND THE CONTROLLING ENGINEERING ORGANIZATION SHOULD BE CONTACTED FOR THE LATEST REVISION.

DWN	B. BRIGGS	07JUL2004	Tyco Electronics Harrisburg, PA 17105-3608
CHK	S. BUCHTER	07JUL2004	
APVD	S. BUCHTER	07JUL2004	
PRODUCT SPEC			
APPLICATION SPEC			NAME
WEIGHT			CONNECTOR KIT, SINGLEMODE, FC, 3.0mm
CUSTOMER DRAWING	SCALE	5.1	RESTRICTED TO
	SHEET	1	REV
	OF	1	J

SIZE: A2 CAGE CODE: 00779 DRAWING NO: 504649